

Article

Effect of High Pressure on the Reducibility and Dispersion of the Active Phase of Fischer–Tropsch Catalysts

Simón Yunes ¹, Miguel Ángel Vicente ² , Sophia A. Korili ³ and Antonio Gil ^{3,*} 

¹ Micromeritics Instrument Corporation, 4356 Communications Drive, Norcross, GA 30093, USA; Simon.Yunes@micromeritics.com

² GIR QUESCAT-Departamento de Química Inorgánica, Universidad de Salamanca, 37008 Salamanca, Spain; mavicente@usal.es

³ INAMAT-Departamento de Ciencias, Universidad Pública de Navarra, 31006 Pamplona, Spain; sofia.korili@unavarra.es

* Correspondence: andoni@unavarra.es; Tel.: +34-948169602

Received: 28 May 2019; Accepted: 10 June 2019; Published: 13 June 2019



Abstract: The effect of high pressure on the reducibility and dispersion of oxides of Co and Fe supported on γ -Al₂O₃, SiO₂, and TiO₂ has been studied. The catalysts, having a nominal metal content of 10 wt.%, were prepared by incipient wetness impregnation of previously calcined supports. After drying at 60 °C for 6 h and calcination at 500 °C for 4 h, the catalysts were reduced by hydrogen at two pressures, 1 and 25 bar. The metal reduction was studied by temperature-programmed reduction up to 750 °C at the two pressures, and the metal dispersion was measured by CO chemisorption at 25 °C, obtaining values between 1% and 8%. The physicochemical characterization of these materials was completed by means of chemical analysis, X-ray diffraction, N₂ adsorption-desorption at −196 °C and scanning electron microscopy. The high pressure lowered the reduction temperature of the metal oxides, improving their reducibility and dispersion. The metal reducibility increased from 42%, in the case of Fe/Al₂O₃ (1 bar), to 100%, in the case of Fe/TiO₂ (25 bar).

Keywords: Fischer–Tropsch; supported iron oxide; supported cobalt oxide; reducibility; dispersion

1. Introduction

Supported cobalt and iron catalysts have been extensively studied in the Fischer–Tropsch reaction for the conversion of synthesis gas obtained from natural gas due to their high activity, high selectivity to long-chain paraffins, and low activity in the formation of water [1]. Despite this huge amount of research work, there is still no agreement in the scientific community about the active phases in the reaction between CO and H₂. Thus, for example, in the case of Fe catalysts there is a high degree of consensus about the fact that its carbides, and not metallic Fe, are the active phase. Likewise, the two factors that can control the activity of the catalysts are the degree of reduction of the metallic precursor as well as the shape and size of the metal particles formed, characteristics that are related through the dispersion, the distribution of the particles on the support [2].

In general, the type and structure of the support affect the dispersion, particle size, and reducibility, and as a consequence the activity of the supported metal catalysts [2,3]. The acidity of the supports, as well as the presence of dopants, are other factors that affect the reducibility and dispersion of the metallic phase [2,4]. Other influencing preparation variables are the metal precursor, the solvent, the metal content, the method of preparation, and the pretreatments before the catalytic tests. For example, in the case of cobalt, CoO can react with the supports both during the synthesis and during the reduction treatment, resulting in various mixed compounds like CoAl₂O₄, Co₂SiO₄

or CoTiO_3 [5–10]. These mixed compounds require far too high reduction temperatures to reduce the metal. Under this way, cobalt metal can be lost by sublimation and increase the particle sizes by sintering, resulting in catalysts with lower performance. The reduction temperatures can be decreased by increasing the pressure, also allowing less cobalt to be lost, and decreasing sintering. Other possible action is the promotion with noble metals (Pd, Pt, Re, and Ru have been used) to enhance the reducibility of the oxides, to improve the metal dispersion, to reduce the catalyst deactivation, etc. [11].

The reaction conditions, such as temperatures up to 350 °C, pressures up to 55 bar, and the presence of fluids under supercritical conditions, also control the Fischer–Tropsch synthesis process [12]. It is highly recommended to characterize the catalysts under these conditions to have a more realistic view of the effect of the different variables on the properties of the solids.

The aim of this work is to evaluate the effect of pressure on the reducibility and dispersion of Co and Fe catalysts prepared from various supports. Some examples of this effect have been published previously but only for cobalt catalysts supported on carbon nanofibers [13,14]. In this work, a comparative study also considering Fe as active phase and other catalytic supports is presented.

2. Materials and Methods

2.1. Preparation of the Catalysts

The Co and Fe catalysts, with a nominal metal content of 10 wt.%, were prepared by incipient wetness impregnation of the supports. The salts used were $\text{Co}(\text{NO}_3)_2 \cdot 6\text{H}_2\text{O}$ (Panreac, Castellar del Vallés, Barcelona, Spain) and $\text{Fe}(\text{NO}_3)_3 \cdot 9\text{H}_2\text{O}$ (Riedel-de Haën-Honeywell, Madrid, Spain), respectively. The commercial supports used were $\gamma\text{-Al}_2\text{O}_3$ (Spheralite 505, Procatalyse, Rueil Malmaison, France), SiO_2 (Aerolyst 350, Degussa, Frankfurt, Germany), and TiO_2 (Aeroxide TiO_2 P25, Degussa). Prior to their use, all of them were calcined in air at 500 °C for 4h. After impregnation, all the catalysts were dried at 60 °C for 6 h and calcined again at 500 °C for 4 h.

2.2. Characterization Techniques

The metal content was determined by inductively coupled plasma-atomic emission spectroscopy (ICP-AES) using Varian Vista-MPX equipment with radial vision (Varian, Palo Alto, CA, USA). The crystalline structure of the catalysts was analyzed by X-ray diffraction (XRD) in a Siemens D5000 diffractometer (Siemens, Munich, Germany). The scanning electron microscopy analyses were carried out at CLPU (Salamanca, Spain) using a Carl Zeiss SEM EVO HD25 (Zeiss Microscopy, Jena, Germany). The textural characterization of the supports and the catalysts synthesized was carried out by adsorption-desorption of N_2 (Air Liquide, 99.999%) at -196 °C using a static volumetric method in Micromeritics model ASAP 2010 equipment (Norcross, GA, USA).

The temperature-programmed reduction (TPR) and the pulse chemisorption experiments were carried out in an automated and controlled Effi Microactivity-reference PID Eng & Tech, denoted as Micro Catalyst Characterization and Testing Center, MCCTC, Madrid, Spain (see Figure 1). This equipment is mainly used to carry out catalytic reactions of any kind at a pressure between atmospheric and 200 bar. The configuration of the system allows to characterize the catalyst in situ, especially when carrying out catalytic tests in which the deactivation of the catalyst takes place. Under these conditions, it is necessary to characterize the catalyst without removing it from the reactor, avoiding its contact with the atmosphere.

The equipment consists of a hot box where all the pipes, valves, furnace, and reactor are arranged, normally kept warm at a temperature up to 200 °C to prevent the condensation of vapors. The equipment is connected in line to an MKS Instruments mass spectrometer, Cirrus™ single-quadrupole model, which constitutes the system's gas analysis system (Andover, MA, USA).

The system has a tubular steel reactor of 32 mm in length and 9 mm in internal diameter, with the catalytic bed placed inside it on a porous plate. The catalytic bed is fixed between two layers of quartz wool. The reactor is located inside a longitudinal opening cylindrical furnace that allows the thermal

regulation of the system at a maximum working temperature of 1100 °C. A type K thermocouple placed in contact with the catalytic bed, which is part of the temperature measurement and control system, is placed inside the reactor. The flow of gases enters the reactor in a descending way and the reaction products exit from the bottom, being then introduced into the analysis system. The flow rate of all the gases entering the reaction system is measured through mass flow controllers. The gases are preheated in the hot box of the system and directed towards a six-way valve that pneumatically directs the path of the current directly to the reactor tube or to the gas outlet. In this valve, a loop (0.521 cm³ NTP) was adapted, which allows to dose an active gas such as CO in order to determine the dispersion of the active phase of any type of catalyst.

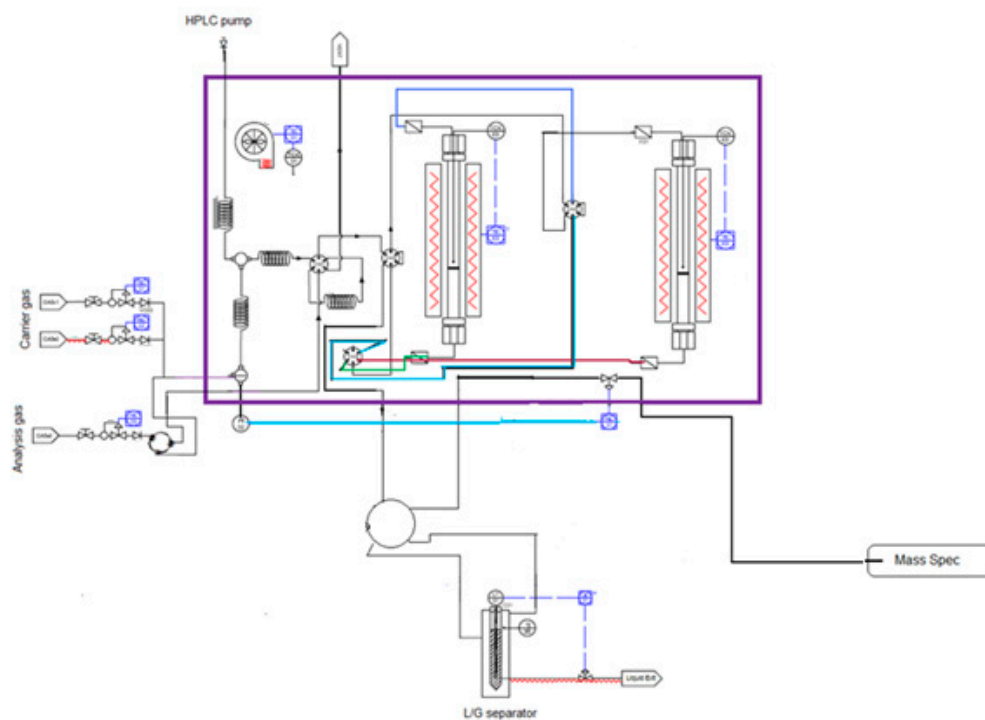


Figure 1. Flow-diagram of the Micro Catalyst Characterization and Testing Center (MCCTC) connected to a mass spectrometer.

For the TPR experiments, 0.3 g of catalyst was pretreated by heating from room temperature to 150 °C at a heating rate of 10 °C/min, and maintained at 150 °C for 2 h, all the process under a flow of N₂ (99.999%) of 50 cm³/min. The samples were then reduced using a 2.5% H₂/Ar (99.999%) mixture with a flow of 400 cm³/min, from room temperature to 750 °C, with a heating rate of 10 °C/min, and a pressure of 1 and 25 bar. This temperature was maintained until the baseline returned to zero, indicating a complete reduction. Two commercial pure oxides, Co₃O₄ (Sigma-Aldrich España, Madrid, Spain, 99%) and Fe₂O₃ (Sigma-Aldrich, 99.99%), were used as references for calibrating the reduction profiles and quantifying the amount of H₂ consumed by the catalysts studied.

The dispersion of the active phase was determined by repeating the reduction treatment, both at 1 and 25 bar pressure, but finishing it at 500 °C and maintaining this temperature for 4 h to ensure that the baseline was recovered. Next, the reducing mixture was replaced by an inert gas at the same temperature to ensure the elimination of all traces of H₂. In the next step, the temperature was lowered to room temperature, and the dosing was carried out using a calibrated loop of 0.521 cm³ of CO (99.999%) until the saturation of the signal was observed, almost three identical peaks. With the

volume of chemisorbed CO, the metallic content and the stoichiometric ratio CO/metal, 1:1 in this case, the percent dispersion of the metals was determined using the following Equation (1),

$$D(\%) = \frac{V_{ads} \cdot f_a \cdot W_a}{V_{mol} \cdot M(\%)} \quad (1)$$

where $D(\%)$ is the metal dispersion, V_{ads} is the total volume of CO chemisorbed, f_a is the stoichiometry factor, W_a is the atomic mass of the active metal, V_{mol} is the molar volume of the CO and $M(\%)$ is the mass percent of metal present in the catalysts.

In the case of the chemisorption temperature, the value was selected to avoid the contribution to the physical adsorption of CO on the supports. For the stoichiometric relationship, it was assumed that each molecule of CO interacted with one Co or Fe atom on the surface [15,16].

3. Results and Discussion

The XRD results indicated (see Figure 2) the formation of the cobalt spinel Co_3O_4 in the case of the cobalt catalysts and the hematite phase Fe_2O_3 in the case of iron catalysts. No mixed phases involving the supports and the active phases were detected, although in the case of alumina, Al(III) cations from the support should isomorphically incorporate to both active phases, and in fact reducibility studies strongly suggested this possibility (vide infra).

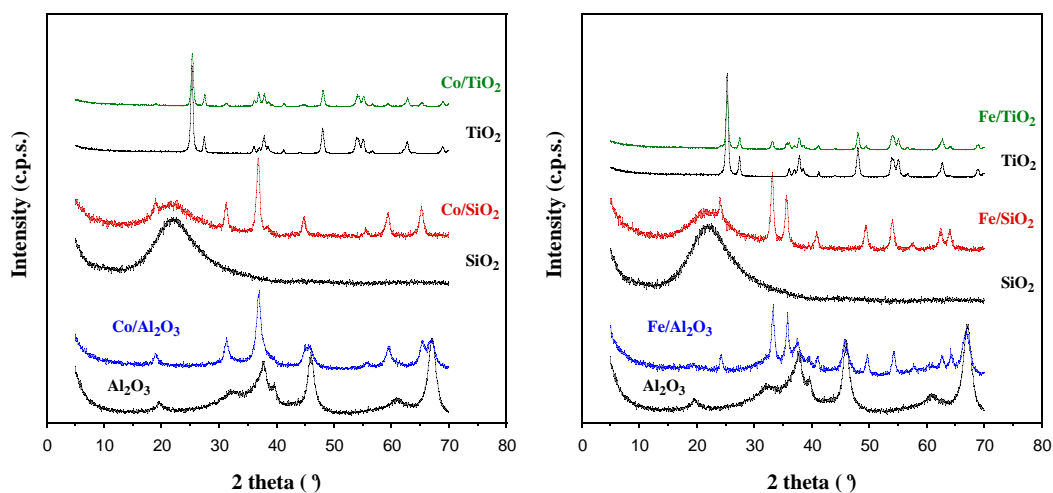


Figure 2. XRD patterns of the supported cobalt (left) and iron (right) oxide catalysts.

Selected micrographs of the cobalt catalysts are included in Figure 3. The images confirmed that the structures of the particles of the supports were not significantly modified by the impregnation with the metallic solutions and the subsequent calcination.

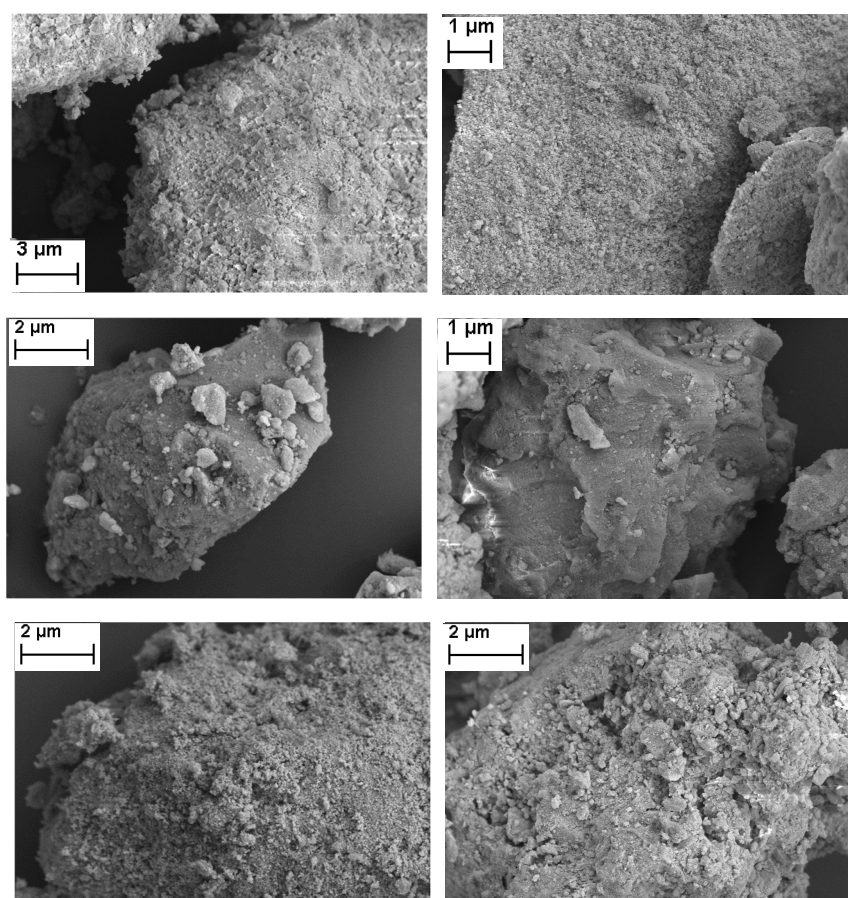


Figure 3. SEM images of the supported cobalt (**left**) and iron (**right**) oxide catalysts. Top: Alumina-supported catalysts; middle: Silica-supported catalysts; bottom: Titania-supported catalysts.

The adsorption isotherms were of type II according to the IUPAC classification [17] for γ - Al_2O_3 and TiO_2 supports and type IV in the case of SiO_2 support. The presence of metallic oxides did not change the shape of the adsorption isotherms or the shape of the hysteresis cycles that originated in the desorption process. This result may indicate that the metal oxides were well dispersed on the surface of the supports. The textural properties, specific surface area, and pore volume of the supports and of the catalysts are included in Table 1, in which the metal content of the catalysts is also included.

Table 1. Textural properties derived from N_2 adsorption at -196 °C and metal content by inductively coupled plasma-atomic emission spectroscopy ICP-AES.

Catalyst	S_{BET} (m^2/g)	V_{p} (cm^3/g) *	Metal Content (wt.%)
γ - Al_2O_3	183	0.410	–
SiO_2	288	0.797	–
TiO_2	51	0.147	–
$\text{Co}/\text{Al}_2\text{O}_3$	122	0.291	13.54
Co/SiO_2	225	0.615	13.79
Co/TiO_2	32	0.251	10.90
$\text{Fe}/\text{Al}_2\text{O}_3$	132	0.290	9.11
Fe/SiO_2	220	0.562	13.30
Fe/TiO_2	38	0.235	9.62

* Total pore volume, calculated from N_2 adsorption at $p/p^0 = 0.98$.

The TPR profiles corresponding to the series of Co catalysts are included in Figure 4. In all the cases, a reduction peak can be observed at 350–465 °C, which coincided with the maximum peak of reduction of pure oxide Co_3O_4 to Co^0 . The reduction shoulder observed at lower temperature can be related to the reduction of Co_3O_4 to metallic Co in two steps ($\text{Co}^{3+} \rightarrow \text{Co}^{2+} \rightarrow \text{Co}^0$), as has been discussed by Arnoldy and Moulijn [18]. These results confirmed the presence of Co_3O_4 . In the case of the catalyst with Al_2O_3 as support, the higher reduction temperatures may be due to a greater oxide-support interaction. Al(III) can isomorphically incorporate to the spinel phase. The peak of reduction centered at higher temperature (600–1000 °C), which was observed in the $\text{Co}/\text{Al}_2\text{O}_3$ catalyst, suggested the reduction of Co^{2+} species present in the form of cobalt spinels.

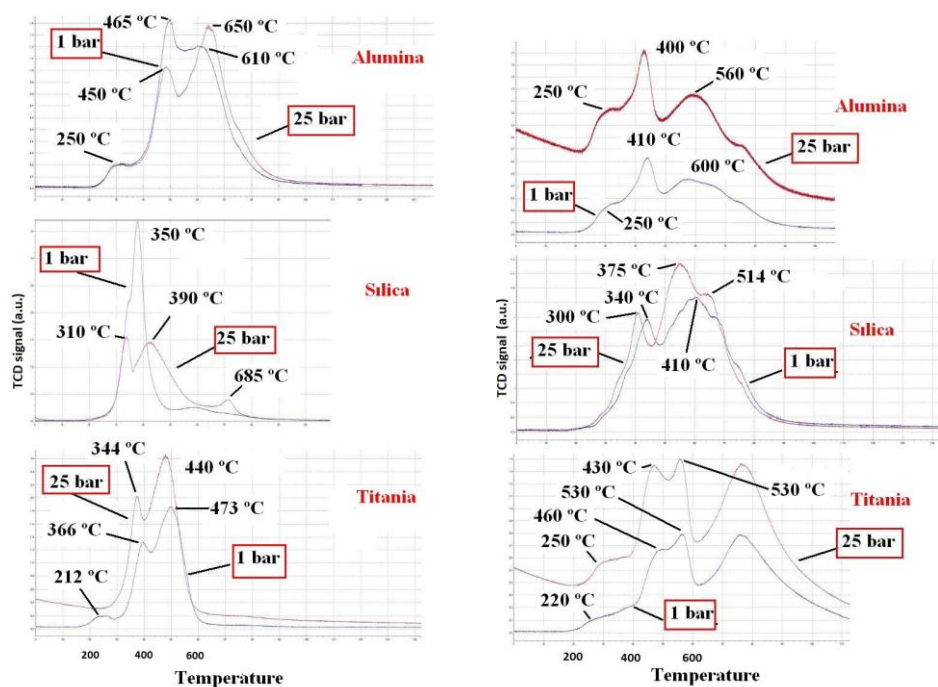


Figure 4. Reduction profiles corresponding to the supported cobalt (left) and iron (right) oxide catalysts.

In two previous works, Jacobs et al. [19] and Borg et al. [20] reported that the metal-support interactions affected the reduction of cobalt species and the strength of such interactions for various supports decreased in the order $\text{Al}_2\text{O}_3 > \text{TiO}_2 > \text{SiO}_2$. In the case of Al_2O_3 and as a result of the metal-support interactions that arose from the diffusion of cobalt ions into alumina lattice sites of octahedral or tetrahedral geometry, the formation of CoAl_2O_4 was proposed, and as a consequence the reducibility of the cobalt was hindered. TiO_2 is known to exhibit the strong metal-support interaction (SMSI) effect, where during the reduction of the cobalt oxide, the partial reduction of the support also takes place, encapsulating or decorating the cobalt particles [21]. The nature of hydroxyl groups and their concentration and distribution on the silica surface play the main role in the dispersion of cobalt particles. In this type of support, the formation of Co_2SiO_4 has also been reported.

The TPR profiles corresponding to the series of Fe catalysts are also included in Figure 4. The reduction of Fe_2O_3 was related to a first peak at 400–460 °C ($3\text{Fe}_2\text{O}_3 \rightarrow 2\text{Fe}_3\text{O}_4$) and a second broader peak located at high temperatures that reflected the reduction to metallic iron ($2\text{Fe}_3\text{O}_4 \rightarrow 6\text{Fe}$). The shoulder at 630 °C indicated an intermediate reduction state ($2\text{Fe}_3\text{O}_4 \rightarrow 6\text{FeO} \rightarrow 6\text{Fe}$).

The volumes of H_2 consumed by weight of metal oxide, the degree of reducibility of the catalysts, and the dispersion of the metal phases for the catalysts studied are included in Table 2. The results are given for the two working pressures, 1 and 25 bar.

Table 2. Results of H₂ consumption, metal reducibility and dispersion.

Catalyst	Q(H ₂) (cm ³ /g _{oxide})	R (%)	D (%)
Co/TiO ₂ (25 bar)	372	100	5
Co/TiO ₂ (1 bar)	315	85	1
Co/SiO ₂ (25 bar)	299	80	2
Co/SiO ₂ (1 bar)	296	80	1
Co/Al ₂ O ₃ (25 bar)	296	80	6
Co/Al ₂ O ₃ (1 bar)	271	73	3
Fe/TiO ₂ (25 bar)	421	100	7
Fe/TiO ₂ (1 bar)	306	73	1
Fe/SiO ₂ (25 bar)	346	82	3
Fe/SiO ₂ (1 bar)	295	70	1
Fe/Al ₂ O ₃ (25 bar)	236	56	8
Fe/Al ₂ O ₃ (1 bar)	175	42	3

The low values of metal dispersion can be related to the high metal contents of the synthesized catalysts. It was also indicative of the large size of the metal particles. For the two metals considered, the catalysts synthesized using TiO₂ as support had greater degrees of oxide reduction. This result can be attributed to the weak interaction existing between the metallic oxide and the support and characteristic of the SMSI effect. The situation was very different for the catalysts supported on γ -Al₂O₃, which showed lower degrees of oxide reduction, behavior that can be explained through strong oxide-support interactions, even with the formation of spinels involving cations from the support, that is, Fe(II) or Co(II) as divalent cations, and Fe(III) or Co(III) from the precursors and Al(III) from the support as trivalent cations, this effect seeming to be more significant in the case of Co-samples [5,18]. These effects decreased with pressure, as the reducibility of the metal oxides and the metal dispersion increased.

4. Conclusions

The effects of the high pressure of on the reducibility of catalysts based on cobalt and iron oxides on three commercial supports, γ -Al₂O₃, SiO₂, and TiO₂, have been presented. Two effects have been observed, the high pressure lowered the reduction temperature, decreasing the sintering of the metal oxide particles, while the pressure improved the reducibility of the metal oxides to an almost total reduction value. These two effects gave rise to a greater dispersion of the active metal phase, which may result in an increase in the activity of the catalysts.

Author Contributions: All the authors conceived, designed, and performed the experiments, analyzed the data, and drafted the manuscript.

Funding: This research was jointly funded by the Spanish Ministry of Economy and Competitiveness (AEI/MINECO) and the European Regional Development Fund (ERDF), grant number MAT2016-78863-C2-R. A.G. thanks Santander Bank for funding through the Research Intensification program.

Conflicts of Interest: The authors declare no conflict of interest.

References

1. Davis, B.H. Fischer-Tropsch synthesis: Comparison of performances of iron and cobalt catalysts. *Ind. Eng. Chem. Res.* **2007**, *46*, 8938–8945. [[CrossRef](#)]
2. Iglesia, E. Design, synthesis, and use of cobalt-based Fischer-Tropsch synthesis catalysts. *Appl. Catal. A* **1997**, *161*, 59–78. [[CrossRef](#)]
3. Jablonski, J.M.; Okal, J.; Potoczna-Petru, D.; Krajczyk, L. High temperature reduction with hydrogen, phase composition, and activity of cobalt/silica catalysts. *J. Catal.* **2003**, *220*, 146–160. [[CrossRef](#)]
4. Zhang, J.; Chen, J.; Ren, J.; Sun, Y. Chemical treatment of γ -Al₂O₃ and its influence on the properties of Co-based catalysts for Fischer-Tropsch synthesis. *Appl. Catal. A* **2003**, *243*, 121–133. [[CrossRef](#)]

5. Chin, R.L.; Hercules, D.M. Surface spectroscopic characterization of cobalt-alumina catalysts. *J. Phys. Chem.* **1982**, *86*, 360–367. [[CrossRef](#)]
6. Van Berge, P.J.; Van e Loosdrecht, J.; Barradas, S.; Van der Kraan, A.M. Oxidation of cobalt based Fischer–Tropsch catalysts as a deactivation mechanism. *Catal. Today* **2000**, *58*, 321–334. [[CrossRef](#)]
7. Li, J.L.; Jacobs, G.; Das, T.; Zhang, Y.Q.; Davis, B. Fischer–Tropsch synthesis: Effect of water on the catalytic properties of a Co/SiO₂ catalyst. *Appl. Catal. A Gen.* **2002**, *236*, 67–76. [[CrossRef](#)]
8. Jacobs, G.; Patterson, P.M.; Zhang, Y.Q.; Das, T.; Li, J.L.; Davis, B.H. Fischer–Tropsch synthesis: Deactivation of noble metal-promoted Co/Al₂O₃ catalysts. *Appl. Catal. A Gen.* **2002**, *233*, 215–226. [[CrossRef](#)]
9. Martens, J.H.A.; Van't Blik, H.F.J.; Prins, R. Characterization of supported cobalt and cobalt-rhodium catalysts: II. Temperature-Programmed Reduction (TPR) and Oxidation (TPO) of CoTiO₂ and CoRhTiO₂. *J. Catal.* **1986**, *97*, 200–209. [[CrossRef](#)]
10. Lapidus, A.; Krylova, A.; Kazanskii, V.; Borovkov, V.; Zaitsev, A.; Rathousky, J.; Zukal, A.; Jancalkova, M. Hydrocarbon synthesis from carbon monoxide and hydrogen on impregnated cobalt catalysts. Part I. Physico-chemical properties of 10% cobalt/alumina and 10% cobalt/silica. *Appl. Catal.* **1991**, *73*, 65–82. [[CrossRef](#)]
11. Diehl, F.; Khodakov, A.Y. Promotion of cobalt Fischer–Tropsch catalysts with noble metals: A review. *Oil Gas Sci. Technol.* **2009**, *64*, 11–24. [[CrossRef](#)]
12. Steynberg, A.; Dry, M. *Fischer-Tropsch Technology*; Studies in Surface Science and Catalysis; Elsevier B.V.: Amsterdam, The Netherlands, 2004; Volume 152, ISBN 0-444-51354-X.
13. Den Breejen, J.P.; Radstake, P.B.; Bezemer, G.L.; Bitter, J.H.; Froseth, V.; Holmen, A.; De Jong, K.P. On the origin of the cobalt particle size effects in Fischer–Tropsch catalysis. *J. Am. Chem. Soc.* **2009**, *131*, 7197–7203. [[CrossRef](#)] [[PubMed](#)]
14. Bezemer, G.L.; Bitter, J.H.; Kuipers, H.P.C.E.; Oosterbeek, H.; Holewijn, J.E.; Xu, X.; Kapteijn, F.; Van Dillen, A.J.; De Jong, K.P. Cobalt Particle Size Effects in the Fischer–Tropsch Reaction Studied with Carbon Nanofiber Supported Catalysts. *J. Am. Chem. Soc.* **2006**, *128*, 3956–3964. [[CrossRef](#)] [[PubMed](#)]
15. Delannay, F. *Characterization of Heterogeneous Catalysts*; Marcel Dekker Inc.: New York, NY, USA, 1984; ISBN 978-0824771003.
16. Haber, J.; Block, J.H.; Delmon, B. Manual of methods and procedures for catalyst characterization. *Pure Appl. Chem.* **1995**, *67*, 1257–1306. [[CrossRef](#)]
17. Rouquerol, F.; Rouquerol, J.; Sing, K. *Adsorption by Powders and Porous Solids—Principles, Methodology and Applications*; Academic Press: Cambridge, MA, USA, 1998; ISBN 978-0-12-598920-6.
18. Arnoldy, P.; Moulijn, J.A. Temperature-programmed reduction of CoOAl₂O₃ catalysts. *J. Catal.* **1985**, *93*, 38–54. [[CrossRef](#)]
19. Jacobs, G.; Das, T.K.; Zhang, Y.; Li, J.; Racoillet, G.; Davis, B.H. Fischer–Tropsch synthesis: Support, loading, and promoter effects on the reducibility of cobalt catalysts. *Appl. Catal. A Gen.* **2002**, *233*, 263–281. [[CrossRef](#)]
20. Borg, O.; Ronning, M.; Storster, S.; Van Beek, W.; Holmen, A. Identification of cobalt species during temperature programmed reduction of Fischer–Tropsch catalysts. *Stud. Surf. Sci. Catal.* **2007**, *163*, 255–272.
21. De la Peña O'Shea, V.A.; Consuelo Álvarez Galván, M.; Platero Prats, A.E.; Campos-Martin, J.M.; Fierro, J.L.G. Direct evidence of the SMSI decoration effect: The case of Co/TiO₂ catalyst. *Chem. Commun.* **2011**, *47*, 7131. [[CrossRef](#)] [[PubMed](#)]

